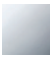

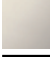





33 500 670



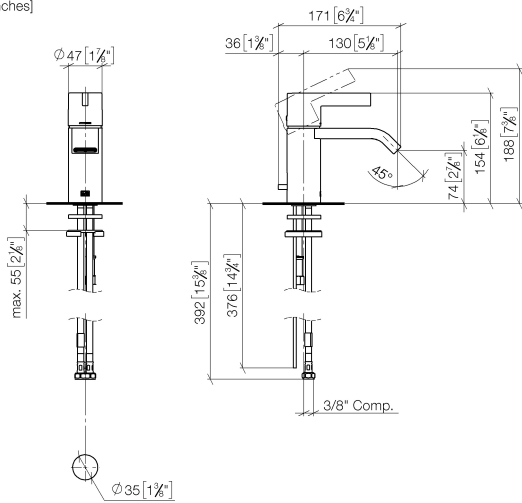
- 130mm projection
- 1 1/4" pop-up waste
- fixed spout
- rectangular, air-enriched flow
- height of mixer 154 mm
- height up to aerator 80 mm
- hole diameter 35 mm
- 2 x pressure hose with 3/8" cap nut
- max. flow 4.5 l/min
- lead-free
- This product can help a building meet the requirements of Green Building Rating Systems, e.g. LEED®, BREEAM®, DGNB

Only suitable for basins with an overflow.

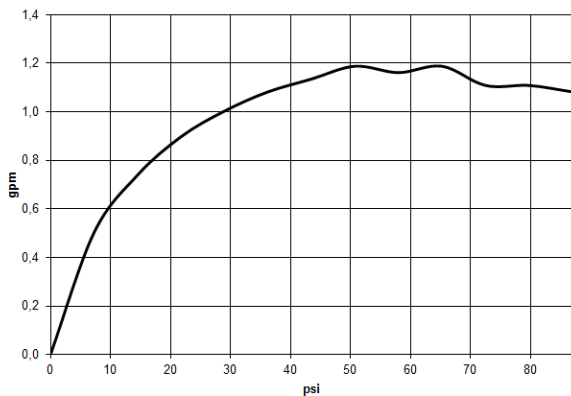
	Chrome	33 500 670-00 0010
	Brushed Platinum	33 500 670-06 0010
	Platinum	33 500 670-08 0010
	Brushed Durabronze (23kt Gold)	33 500 670-28 0010
	Brushed Chrome	33 500 670-93 0010
	Brushed Dark Platinum	33 500 670-99 0010

33 500 670

mm [inches]



Flow rate chart



Codes & Standards

ADA

ASME  
A112.18.1/CSA  
B125.1

California Energy  
Commission  
(CEC)

NSF/ANSI 372

NSF/ANSI/CAN  
61

Water Sense





## IMO Single-lever basin mixer with pop-up waste - Chrome

---

IMO

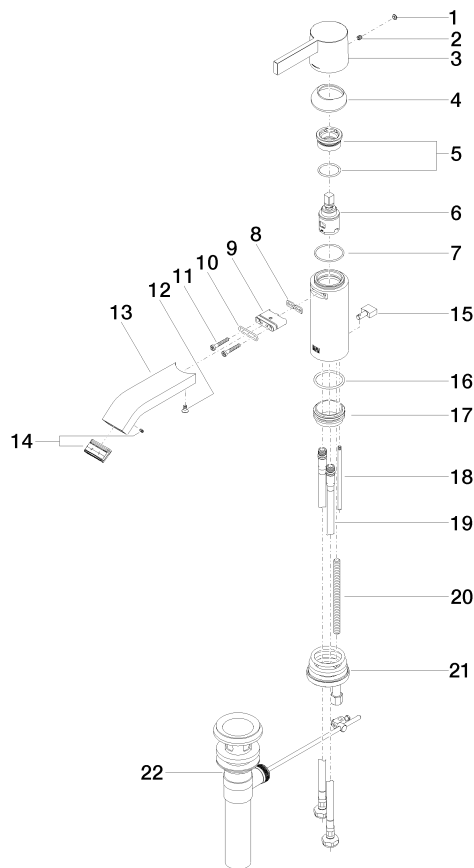
33 500 670

### Certificates

---

IAPMO\_8834 (1).    IAPMO\_N-4976 (1).    IAPMO\_4976 (3).    IAPMO\_6397 (1).

33 500 670



33 500 670

Spare parts list

No.	Item Number	Name	Quantity used	Delivery time
1	90 31 20 087 00-00	plug	1	10
2	90 31 11 030 00 90	pin	1	2
3	09 20 67 003-00	handle	1	10
4	09 28 30 019-00	cover	1	10
5	90 23 10 066 00 90	nut	1	2
6	90 15 05 042 00 90	cartridge	1	2
7	09 14 10 102 90	seal	1	2
8	09 14 03 131 90	seal	1	2
9	09 11 03 061 90	connection	1	2
10	09 14 10 053 90	seal	1	2
11	09 30 30 084 90	screw	2	2
12	09 30 30 116 90	screw	1	2
13	09 28 22 239-00	spout	1	10
14	90 29 03 118 00 90	aerator	1	2
15	09 20 67 002-00	handle	1	10
16	09 14 10 119 90	seal	1	2
17	09 28 10 109-07	ring	1	30
18	09 31 09 080-00	pull-rod	1	10
19	04 30 04 106 00 90	hose	2	2
20	09 31 11 012 90	pin	1	2
21	04 30 11 085 88 90	fixing set	1	2
22	90 11 01 023 00-00	pop-up waste	1	10